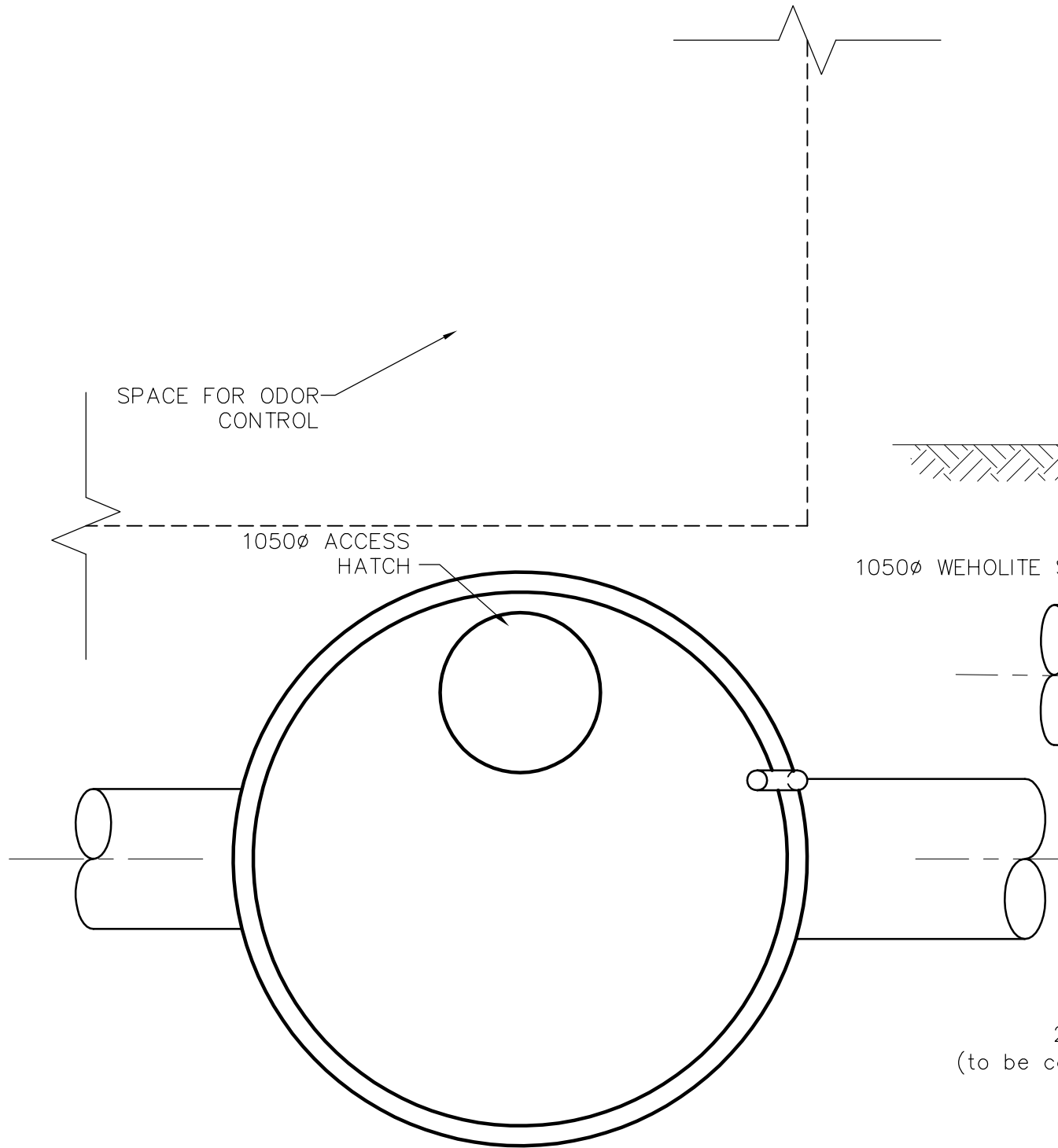
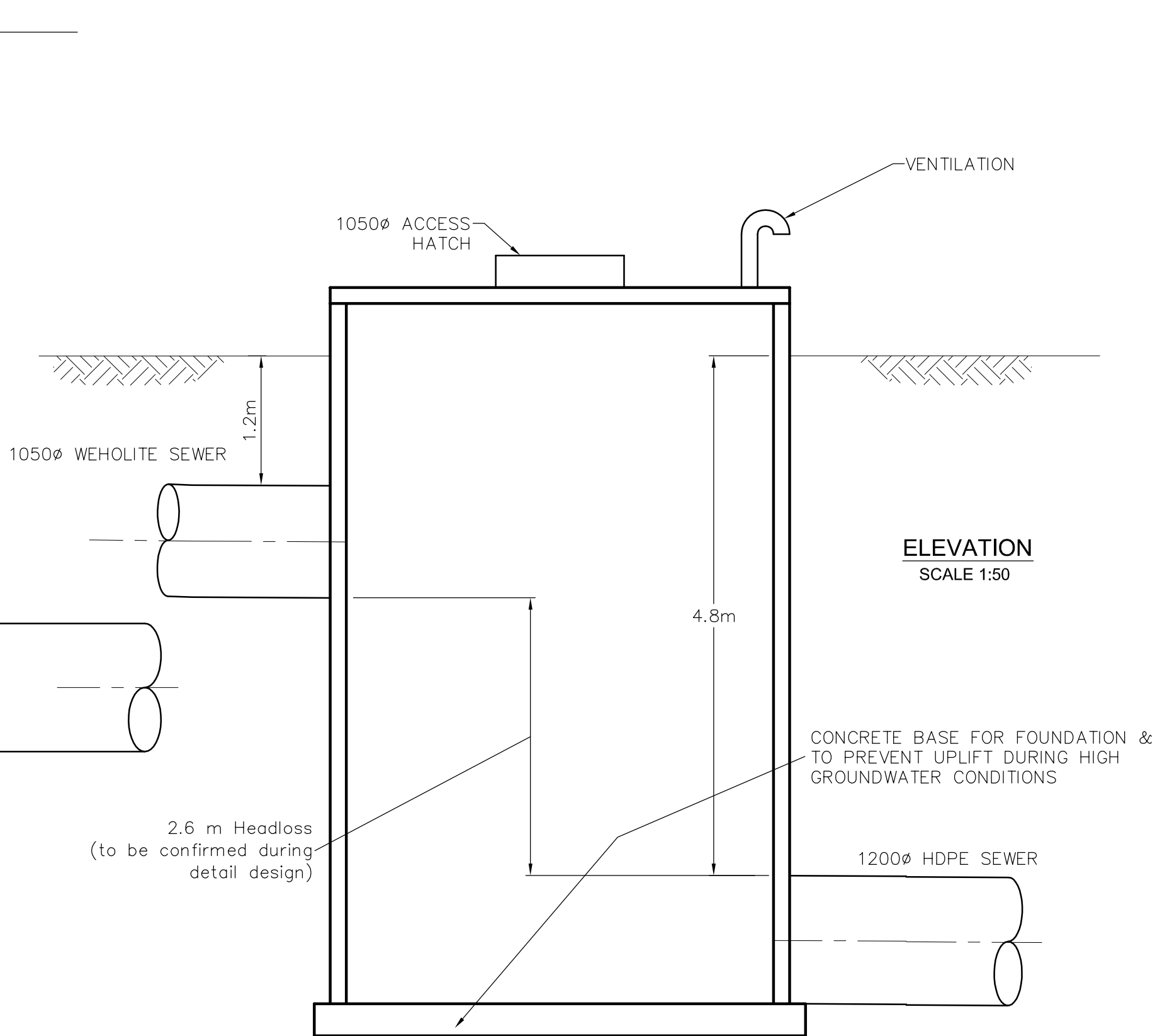


CH2M HILL Vancouver: P:\RegDist\CmxStrathcona\332069ForcemainAsemt\500DesignWorkingFiles\903Studies\CAD\figures\EXHIBIT 4-3.dwg Oct 25, 2005-5:15pm



PLAN
SCALE 1:50



ELEVATION
SCALE 1:50

PRELIMINARY

NOT FOR
CONSTRUCTION

DSGN	AW								
DR	GC								
CHK	GV								
APVD									
		NO.	DATE	REVISION	BY	APVD			

VERIFY SCALE
BAR IS ONE INCH ON ORIGINAL DRAWING.
0 1"
IF NOT ONE INCH ON THIS SHEET, ADJUST SCALES ACCORDINGLY.

CH2MHILL

REGIONAL DISTRICT OF
COMOX STRATHCONA

GRAVITY SEWER-SIPHON CONNECTION
EXHIBIT 4 - 3

SHEET	
DWG	
DATE	OCT 7, 2005
PROJ	332069

REUSE OF DOCUMENTS: THIS DOCUMENT, AND THE IDEAS AND DESIGNS INCORPORATED HEREIN, AS AN INSTRUMENT OF PROFESSIONAL SERVICE, IS THE PROPERTY OF CH2M HILL CANADA LIMITED AND IS NOT TO BE USED, IN WHOLE OR IN PART, FOR ANY OTHER PROJECT WITHOUT THE WRITTEN AUTHORIZATION OF CH2M HILL CANADA LIMITED.